

Total Media Concepts, Inc.

1169 Chess Drive Suite F

Foster City, California 94404

Voice 650-341-2300

Fax 650-345-0275



- ✚ DirecTv AU9 KuKa Band 5 Lnb HDTV Dish
- ✚ Includes (5) Lnb's and the (4) way integrated multiswitch
- ✚ Capable of receiving DIRECTV satellite signals on the Ku band (101°, 110°, 119°) and Ka band (99°, 103°) satellites
- ✚ Dimensions (approx.) 23" (h) c 33" (w)
- ✚ LNB Arm extends (approx.) 23" out in front of the dish
- ✚ Weight (approx.) 32lbs

Satellite Antenna Mounts

Non Penetrating Roof Mount

Model 611617401

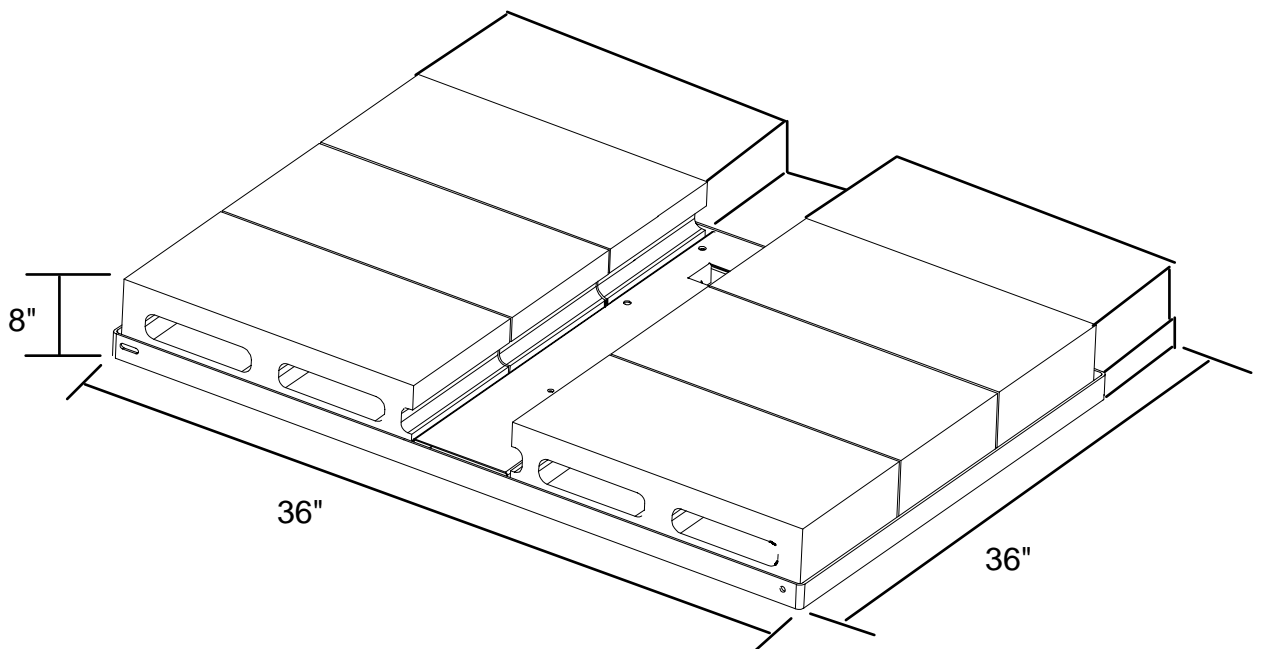
- 36" x 36" base with 2" O.D. mast
- Pre-punched mounting holes to accommodate mounting of the universal mount foot when using for 18", 18" x 24", 18" x 20", and 50cm DBS antennas
- Can also be used with Channel Master 60cm, 75cm, 75e & 84e satellite antennas
- Can accommodate the 90cm & 1.0m when greater wind speeds are not expected
- Ideal for mounting a traditional terrestrial off air antenna
- Many other applications including mounting surveillance cameras or outdoor speakers.
- Designed for installations on a flat roof



Place up to six (8) concrete blocks as shown below (mount not shown for clarity).

(8) Standard 8" x 8" x 16" Cinder Blocks, total weight 144 lbs.

Neoprene pad protects roof surface from galvanized steel mount.



- The dish shall be 24" x 30" oval for High Definition DirecTv.
- The dish shall be mounted using a NON-Penetrating roof mount.
- This is a steel frame, which lays flat on the roof and is loaded with 6 cinder blocks.
- There is a pad which this frame sits on to protect the roof membrane.
- The maximum height off the roof to the top of the dish is 40".
- The total combined weight is 150lbs.
- The coax cable shall enter the roof through an existing flashing.
- (I.E. air vent, plumbing vent flashing, air conditioner flashing, etc.)
- If there needs to be ANY roof penetration, you will be notified before proceeding.

The is a RECEIVE ONLY antenna. There is NO uplink transmission.
The Downconverter Frequency is L-Band 950mhz - 2150mhz circular polarization. -35dBm